

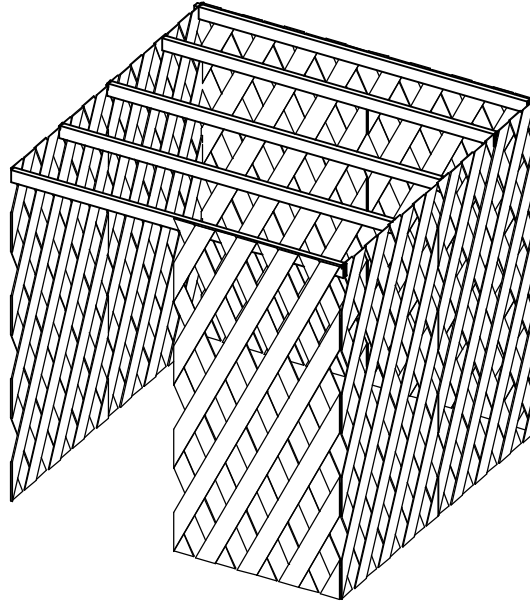
NORRIS ARCHITECTS

6111 E VIA ESTRELLA AVE
PARADISE VALLEY, AZ 85253
480-734-7711
Tom@NorrisArchitects.com



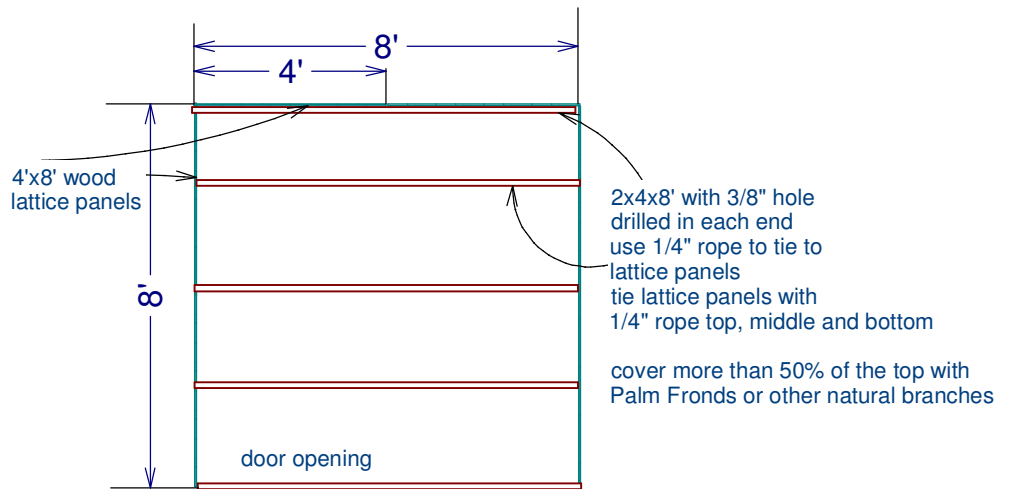
Tommy J. Norris

Expires 6-24-2012



© 2011 Norris Architects All rights reserved. This design and drawing are protected by the copyright laws of the United States and international treaties. Use, reproduction, copying, or transmission in any form or by any means, without the express written permission of Norris Architects is prohibited and may subject you to civil and criminal liability.

The 30 minute 8'x8' Sukkah



material list		
7 4'x8' lattice panels	\$30ea	\$210
5 2x4's 8'	\$3 ea	\$15
1/4" rope 100'	\$12	\$12

\$237

Tools needed
Knife to cut the rope
Drill with 3/8" bit to drill holes for rope in the 2x4's